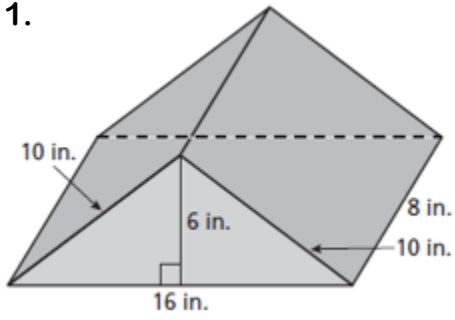


Name _____
HW #9.1

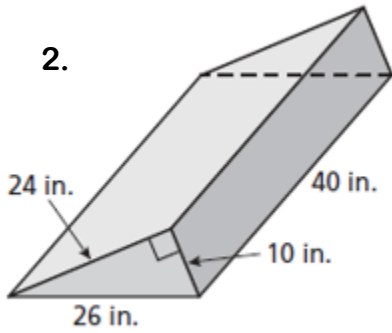
Date _____
Period _____

Find the surface area of the prisms below.

1.



2.



3. A graphing calculator is in the approximate shape of a rectangular prism.

- a. Find the total surface area of the calculator.



- b. The window of the calculator is 6.5 centimeters long and 4.5 centimeters wide. Find the surface of the graphing calculator without the window.